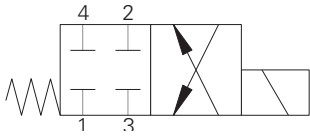


SV2-8-4/4M - Solenoid Valve

4-way, 2-position spool type solenoid valve
Up to 13 L/min (4 USgpm) • 210 bar (3000 psi)

A



Operation

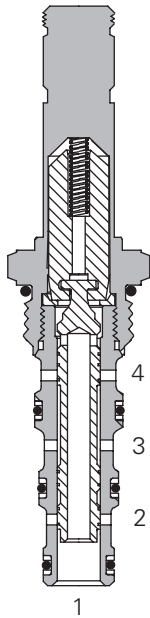
In the de-energized position all ports are blocked.

In the energized position flow is allowed from port 3 to port 4 and from port 2 to port 1

Features

Hardened, ground and honed working parts to limit leakage. IP69K Tough coil compatibility. Continuously rated. Compact design with low pressure drop. Rated pressure on all ports..

Sectional View



Performance Data

Ratings and Specifications

Performance data is typical with fluid at 21,8 cST (105 SUS) and 49°C (120°F)

Typical application pressure (all ports)	210 bar (3000 psi)
Cartridge fatigue pressure (infinite life)	210 bar (3000 psi)
Rated flow	13 L/min (4 USgpm)
Internal leakage	82 cm ³ /min (5 in ³ /min) max @ 350 bar (5000 psi)
Temperature range	-40° to 100°C (-40° to 212°F)
Coil duty	Continuous from 85% to 110% of nominal voltage
Response times (100% rated voltage and flow)	Energize: 21 ms De-Energize: 42 ms
Cavity	C-8-4
Fluids	All general purpose hydraulic fluids such as: MIL-H-5606, SAE 10, SAE 20, etc.
Filtration	Cleanliness code 18/16/13
Housing material (standard)	Aluminum
Weight including coil	0,30 kg (0.66 lbs)
Seal kit	02-160757 (Buna-N), 02-160758 (Viton)

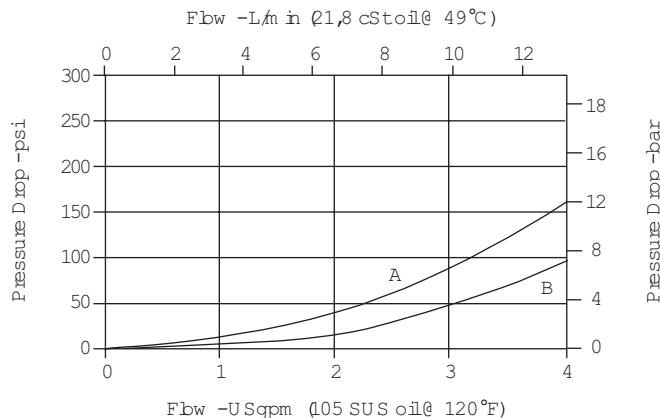
Viton is a registered trademark of E.I. DuPont

Description

This is a 4-way 2-position, direct acting, spool type solenoid valve. This valve can be used in applications where a double acting actuator needs to be isolated.

Pressure Drop

Cartridge only

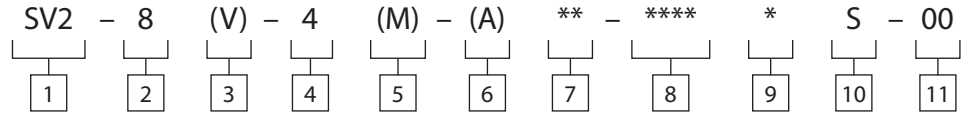


A - Port 3 to port 4
B - Port 2 to 1

SV2-8-4/4M - Solenoid Valve

4-way, 2-position spool type solenoid valve
Up to 13 L/min (4 USgpm) • 210 bar (3000 psi)

Model Code



- 1** Function
SV2 - Solenoid valve

- 2** Size
8 - 8 size

- 3** Seal Material
Blank - Buna-N
V - Viton*

- 4** Style
4 - 4-way, 2 position

- 5** Manual Override Option
Blank - No manual override
M - Manual override
Forvalvedimensionswithmanualover-
rideoptioninstalled,seepageA-980.

- 6** Valve Housing Material
Omit for cartridge only
A - Aluminum

7 Port Size

Code	Port Size	Housing Number
0	Cartridge only	
2G	1/4" BSPP	02-160747
3G	3/8" BSPP	02-160748
4T	SAE 4	02-160749
6T	SAE 6	02-160750

See section J for housing details.

8 Voltage Rating

00 - No coil	115A - 115VAC
12D - 12VDC	230A - 230VAC
24D - 24VDC	12B - 12VDC/w diode*
36D - 36VDC	24B - 24VDC/w diode*
24A - 24VAC	*Optional arc suppression diode.

- 9** Connector Types
- Blank - No coil
G - ISO 4400 DIN 43650
Q - Spade terminals
W - Flying lead
N - Deutsch (DC only)
Y - Amp JR (DC only)
D - Metripack 150 male (DC only)
J - Metripack 280 male (DC only)
- Forcoilpartnumbersanddimensions see section C.
- 10** Coil Series
- S - 8 series, 20 W
Forcoilpartnumbersanddimensions see section C.
- 11** Special Features
- 00 - None
(Only required if valve has special features omitted if "00".)

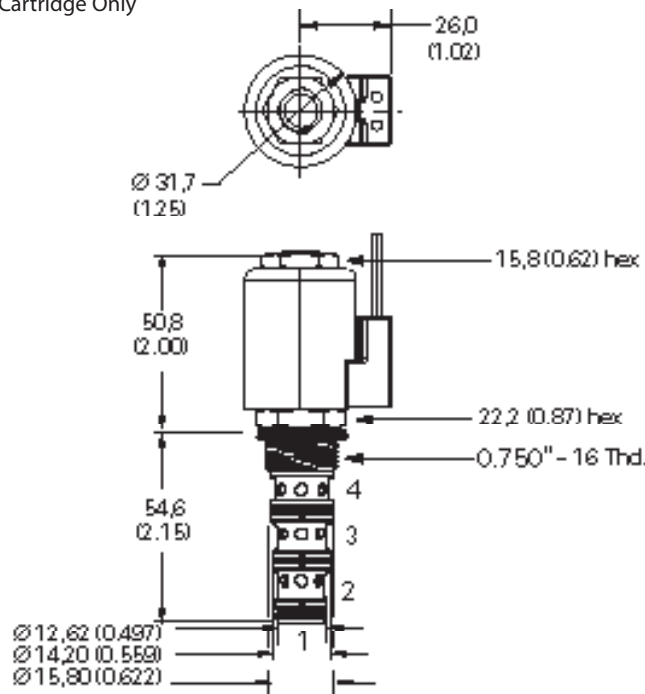
Dimensions

mm (inch)

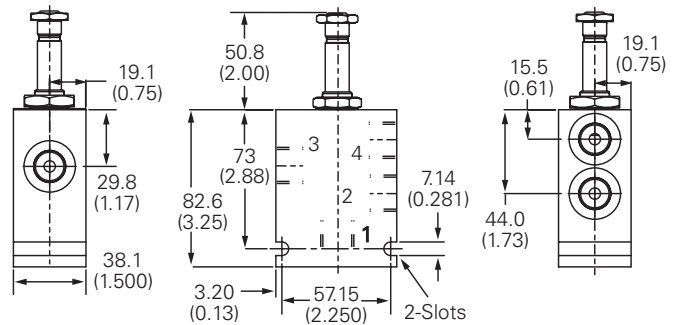
Torque cartridge in steel or aluminum housing 34-41 Nm (25-30 ft lbs)

Note: When solenoid valve is ordered as cartridge only, nut is included.

Cartridge Only



Installation Drawing



WARNING
Maintain 5-8 Nm (4-6 ft lbs) maximum torque on valve tube nut. Over tightening may cause valve failure.