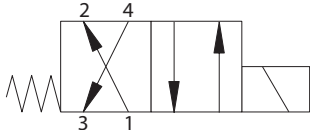


SV17A/B-12-4 - Solenoid Valve

4-way, 2-position, spool type solenoid valve
Up to 46 L/min (12 USgpm) • 350 bar (5000 psi)

A



Operation

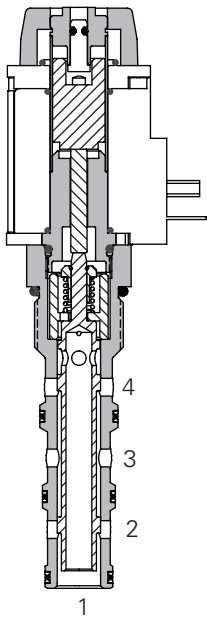
In the de-energized position this valve allows flow between port 3 to port 4 and between port 2 to port 1 in both directions.

In the energized position flow is allowed between port 3 to port 2 and between port 4 to port 1 in both directions.

Features

Hardened, ground and honed working parts to limit leakage. IP69K Tough coil compatibility. Continuously rated. Compact design with low pressure drop. Rated pressure on all ports. Working pressure 350 bar.

Sectional View



Performance

Ratings and Specifications

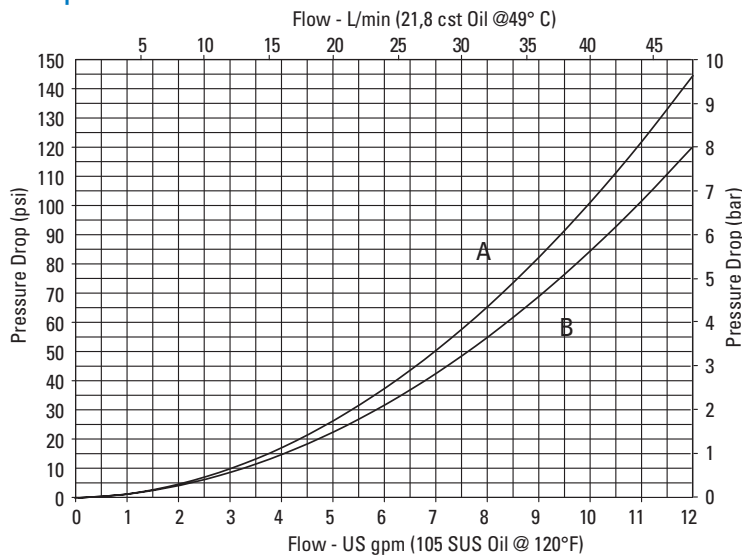
Performance data is typical with fluid at 21,8 cSt (105 SUS) and 49°C (120°F)

Typical application pressure (all ports except port 1)	350 bar (5000 psi)	
Typical application pressure at port 1	210 bar (3000 psi)	
Cartridge fatigue pressure (infinite life)	350 bar (5000 psi)	
Rated flow	SV17A-12-4	38 L/min (10 USgpm)
	SV17B-12-4	46 L/min (12 USgpm)
Internal leakage	350 cc/min (21.5 in ³ /min) @ 210 bar (3000 psi)	
Temperature range	-40° to 120°C (-40° to 248°F)	
Coil duty	Continuos from 85% to 110% of nominal voltage	
Cavity	C-12-4	
Fluids	All general purpose hydraulic fluids such as: MIL-H-5606, SAE 10, SAE 20, etc.	
Filtration Cleanliness code	18/16/13	
Standard housing materials	Steel	
Weight including coil	SV17A-12-4	0.68 kg (1.5 lbs)
	SV17B-12-4	0.86 kg (1.9 lbs)
Seal kit	2160979 Buna-N), 2160980 (Viton® Viton is a registered trademark of E.I. DuPont	

Description

This is a 4-way 2-position, direct acting, high pressure, spool type solenoid valve. This valve can be used in applications where the motion of a double acting cylinder or a motor needs to be reversed

Pressure Drop



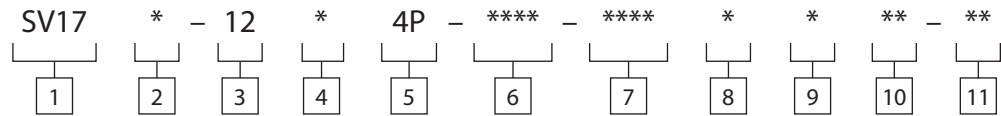
A - Port 2 to port 1, port 3 to port 4
B - Port 3 to port 4, port 3 to port 2

Where measurements are critical request certified drawings. We reserve the right to change specifications without notice.

SV17A/B-12-4 - Solenoid Valve

4-way, 2-position, spool type solenoid valve
Up to 46 L/min (12 USgpm) • 350 bar (5000 psi)

Model Code



1 Function
SV17 - Solenoid valve

2 Max Flow
A - 38 L/min (10 USgpm)
B - 46 L/min (12 USgpm)

3 Size
12 - 12 size

4 Seal Material
Blank - Buna-N
V - Viton

5 Style
4P - 4 way, push type
manual override

6 Port Size
0 - Cartridge only

Code	Port Size	Housing Number	
		Aluminium	Steel
A6G	3/4" BSPP	5986432-001	
A10H	SAE 10	5986434-001	
A12H	SAE 12	5986436-001	
S6G	3/4" BSPP		5991073-001
S10T	SAE 10		5991074-001
S12T	SAE 12		5991075-001

7 Voltage Rating
00 - No coil
12D - 12VDC
24D - 24VDC
12B - 12VDC/w diode*
24B - 24VDC/w diode*

*Optional arc suppression diode.

8 Connector Types
Blank - No coil
G - ISO 4400 DIN 43650
W - Flying lead (DC only)
C - Deutch on Leads
H - Metripak 150 on Leads
F - Weatherpak Male on Leads
For coil part numbers and dimensions see section C.

9 Coil Types
Blank - No coil
L - L series (30W EN 490)
used for SV17A-12
R - R series (30W)
used for SV17B-12

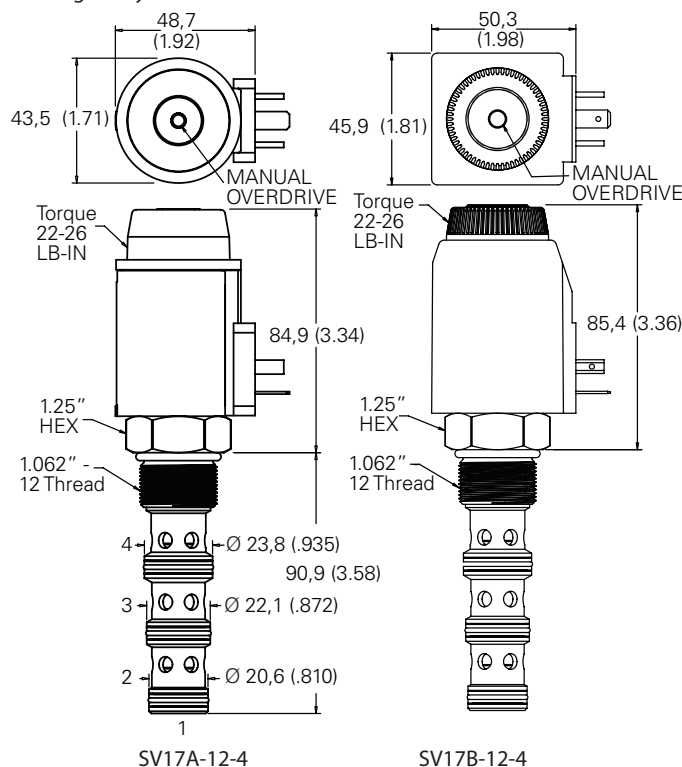
10 Coil Special Feature
Blank - No coil
00 - No special feature

11 Special Features
00 - None
(Only required if valve has special features omitted if "00".)

Dimensions

mm (inch)

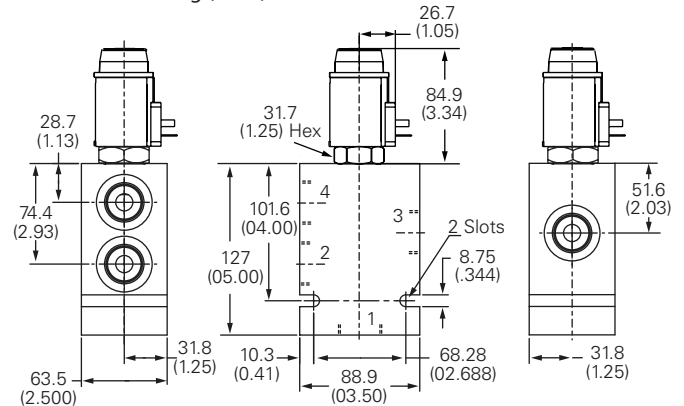
Cartridge Only



Torque cartridge in aluminum housing 81-95 Nm (60-70 ft lbs)

Note: When solenoid valve is ordered as cartridge only, nut is included.

Installation Drawing (Steel)



WARNING
Maintain 2.5-3 Nm
(1.8-2.2 ft lbs)
maximum torque on valve
tube nut. Over tightening
may cause valve failure.