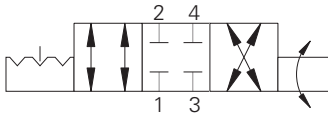


MRV15-12 - Manual Rotary Valve

Manual semi-rotary directional control valve

23 L/min (6 USgpm) • 350 bar (5000 psi)

3 position models



Operation

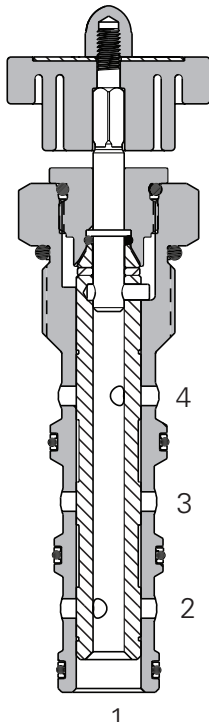
This valve will direct flow between ports 1 and 2 and ports 3 and 4 in one position.

By turning the operator 90°, flow will be directed between ports 1 and 4 and port 3 and 2. During the cross-over transition, all ports are blocked.

Features

Hardened, ground and honed working parts to limit leakage and prolong life. Various levers and knobs available with and without detent. Working pressure 350 bar.

Sectional View



Performance Data

Ratings and Specifications

Performance data is typical with fluid at 21,8 cSt (105 SUS) and 49°C (120°F)

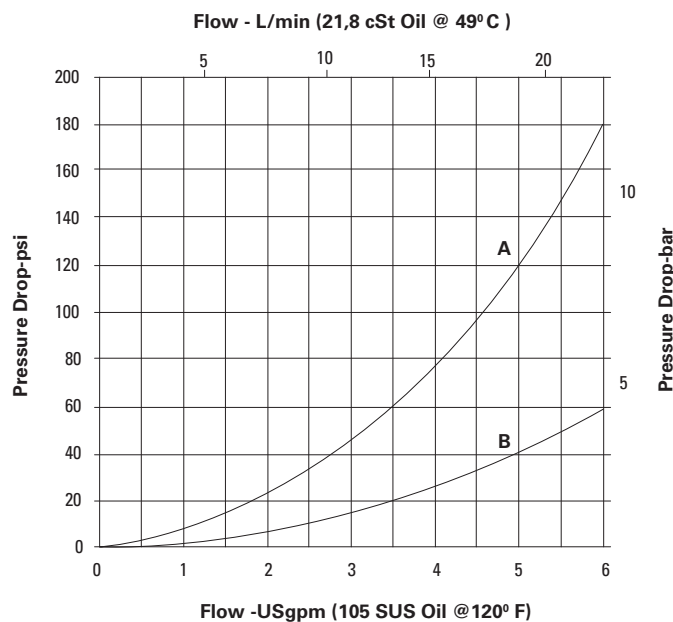
Typical application pressure (all ports)	350 bar (5000 psi)
Cartridge fatigue pressure (infinite life)	350 bar (5000 psi)
Rated flow	23 L/min (6 USgpm)
Internal leakage	300 cc/min (18in ³ /min) @ 350 bar (5000 psi)
Temperature range	-40° to 120°C (-40° to 248°F)
Manual operators	D- Lever (3-position detent) E - Ball (3-position detent)
Cavity	C-12-4
Fluids	All general purpose hydraulic fluids such as: MIL-H-5606, SAE 10, SAE 20, etc.
Filtration	Cleanliness code 18/16/13
Standard housing materials	Aluminum or Steel
Weight cartridge only	0.45 kg (0.99 lbs))
Seal kit	02-160979 (Buna-N), 02-160980 (Viton®)

* Light duty housing only.

Viton is a registered trademark of E.I. DuPont

Pressure Drop Curves

Cartridge only



A - Port 3-4 and port 3-2

B - Port 2-1 and port 4-1

Description

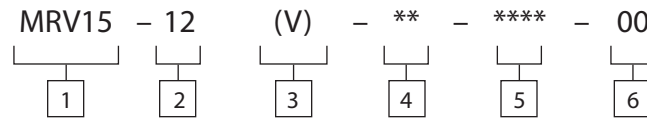
This is a 4 way 2 or 3 position manual semi-rotary directional control valve. In the center condition all ports are closed.

Where measurements are critical request certified drawings. We reserve the right to change specifications without notice.

MRV15-12 - Manual Rotary Valve

Manual semi-rotary directional control valve
23 L/min (6 USgpm) • 350 bar (5000 psi)

Model Code



1 Function

MRV15- Manual rotary valve
4 way

2 Size

12 - 12 size

3 Seals

Blank - Buna-N
V - Viton®

4 Manual Operators

- 0 - No operator
- D - Lever (3-position detent)
- E - Ball (3-position detent)
- D2 - Lever (2-position detent)
- E2 - Ball (2-position detent)
- K - Knob (2-position, no detent)

5 Port Size

0 - Cartridge only

6 Special Features

00 - Non (Only required if valve has special features, omitted if "00")

Code	Port Size	Housing Number
0		Aluminum Light-duty Steel
A4G	1/2" BSPP	5986431-001
A6G	3/4" BSPP	5986432-001
A8H	SAE 8	5986433-001
A10H	SAE 10	5986434-001
A12H	SAE 12	5986436-001
S6G	3/4" BSPP	5991073-001
S10H	SAE 10	5991074-001
S12H	SAE 12	5991075-001

See section J for housing details.

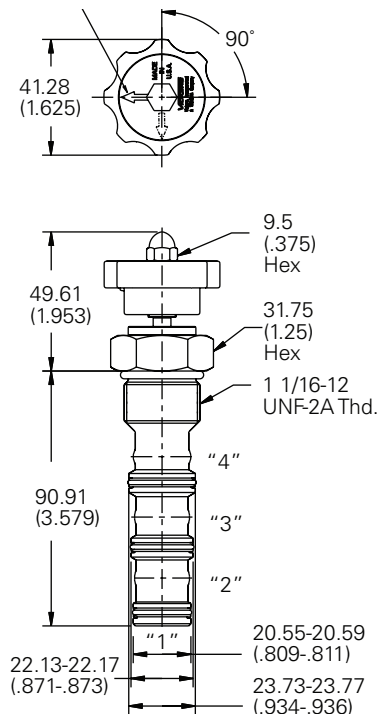
Dimensions

mm (inch)

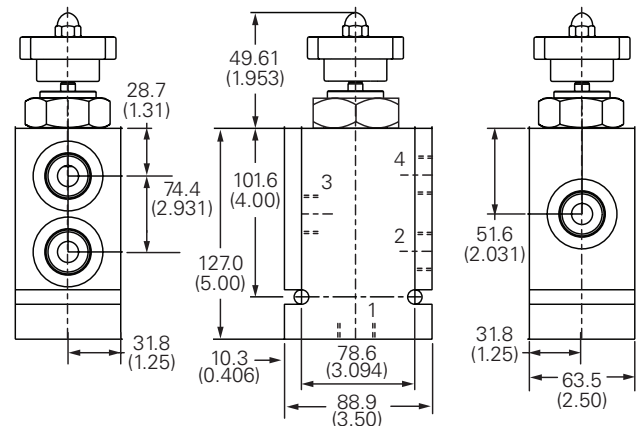
Torque cartridge in housing

- A - 81-95 Nm (60-70 ft. lbs)
- S - 102-115 Nm (75-85 ft. lbs)

Cartridge Only



Installation Drawing (Steel)



WARNING