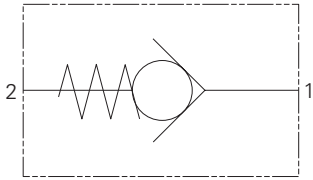


CV2-20 - Check Valve

Direct acting, poppet type

227 L/min (60 USgpm) • 210 bar (3000 psi)



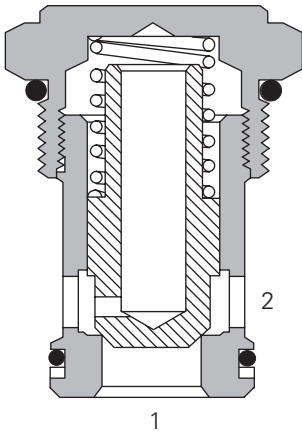
Operation

This is a poppet type, direct acting screw-in cartridge check valve allowing free flow from port 1 to 2.

Features

Hardened and ground working parts to limit leakage and extend service life. Robust design with a 210 bar (3000 psi) max pressure rating.

Sectional View



Performance Data

Ratings and Specifications

Performance data is typical with fluid at 21,8 cST (105 SUS) and 49°C (120°F)

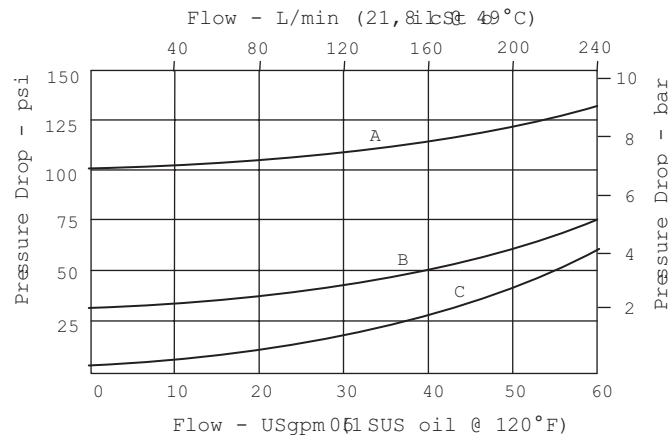
Typical application pressure (all ports)	210 bar (3000 psi)
Cartridge fatigue pressure (infinite life)	210 bar (3000 psi)
Rated flow	227 L/min (60 USgpm)
Free flow cracking pressures @ 1 L/min (0.25 USgpm)	5 - 0,34 bar (5 psi) 15 - 1,03 bar (15 psi) 30 - 2,07 bar (30 psi) 60 - 4,14 bar (60 psi) 100 - 6,90 bar (100 psi)
Internal leakage, Port 2 to 1	5 drops/min. maximum @ 210 bar (3000 psi)
Temperature range	-40° to 120°C (-40° to 248°F)
Cavity	C-20-2
Fluids	All general purpose hydraulic fluids such as MIL - H-5606, SAE 10, SAE 20, etc.
Filtration	Cleanliness code 18/16/13
Standard housing material	Aluminum
Weight, cartridge only	0,49 kg (1.09 lbs.)
Seal kit	889615 (Buna-N) 889619 (Viton)

Viton is a registered trademark of E.I. DuPont

Description

This is a poppet type, direct acting screw-in cartridge check valve allowing free flow from port 1 to 2.

Pressure Drop



A - CV2-20-P-O-100

C - CV2-20-P-O-5

B - CV2-20-P-O-30

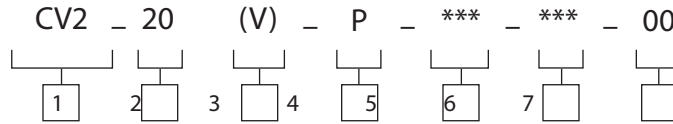
Where measurements are critical request certified drawings. We reserve the right to change specifications without notice.

CV2-20 - Check Valve

Direct acting, poppet type

227 L/min (60 USgpm) • 210 bar (3000 psi)

Model Code



1 Function
CV2 - Check valve

2 Size
20 - 20 size

3 Seal Material
Blank - Buna-N
V - Viton

4 Style
P - Poppet

5 Port Size

Code	Port Size	Housing Number	
		Aluminum Light Duty	Aluminum Fatigue Rated
0	Cartridge only		
8B	1" BSPP	02-175464	-
16T	SAE 16	566409	-
6G	3/4" BSPP	-	876732
8G	1" BSPP	-	876734
12H	SAE 12	-	876733
16H	SAE 16	-	876735

6 Free Flow Cracking Pressure

5 - 0,34 bar (5 psi)
Anti-cavitation
15 - 1,03 bar (15 psi)
30 - 2,07 bar (30 psi)
60 - 4,14 bar (60 psi)
100 - 6,90 bar (100 psi)

7 Special Features

00 - None
(Only required if valve has special features, omitted if "00")

Dimensions

mm (inch)

Note: Torque cartridge in aluminum housing 128-155 Nm (95-115 ft lbs)

Cartridge Only
Basic Code
CV2

Installation Drawing (Aluminum)

